

WiTower.

Space-saving tall magazine

Anyone looking for 24/7 automation will find a compact footprint in the WiTower and an extended autonomy. Thanks to the flexible design options, the magazine can be easily customized to meet individual customer requirements.



DATA SHEET WITOWER

» Footprint:	2,4 m2
» Dimensions:	1,3 x 1,9 x 3,9 m
» Storage capacity:	up to 36 trays
» Payload per tray:	up to 300 kg
» Tray size:	600 x 800 mm
» Robot gripper:	Single gripper Double gripper
» Robot payloads:	35 kg to 210 kg

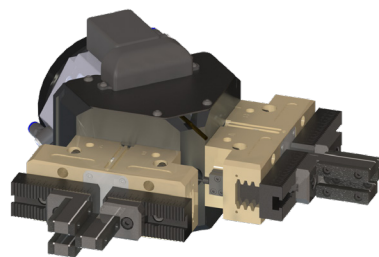
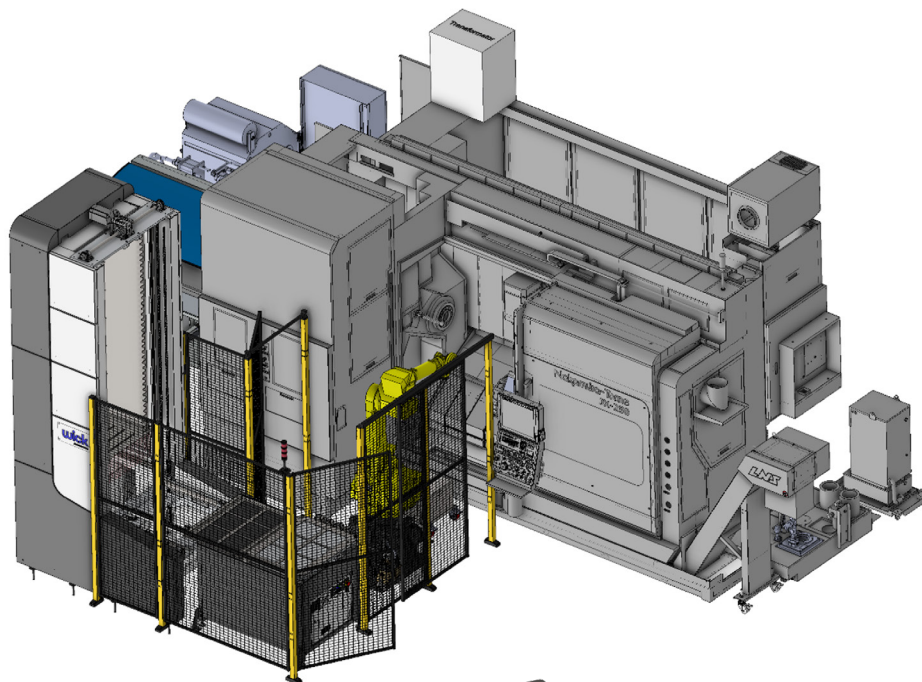
The magazine can be loaded and unloaded at any time without interrupting ongoing operations. The lift places individual trays on an upstream transfer station. The automated process to the processing machine remains fully optimized and is not interrupted

Software options:

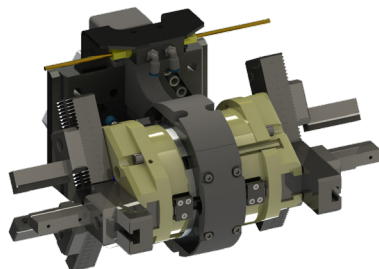
- » Job manager
- » Multi-machine operation

WiTower.

Lathe with WiTower and a
35 kg Fanuc robot



Parallel double gripper for
parts up to 200 mm



Three-jaw double gripper
for parts up to 200 mm

R. Wick AG
Alte Zugerstrasse 10
6403 Küsnacht a/R
T +41 41 747 11 11
wick@wick-ag.com
www.wick-ag.com